

DISC VALVE

EDV

The Power of
EXPERIENCE



INTRODUCTION

INTRODUCTION

Expert Middle East is one of the top leaders in HVAC system instruments fabrication, established in 2015.

Certified by ISO 9001, & ISO 14005, Along our successful & progressive journey, we strive to be the integrated service provider of HVAC system equipment in the Middle East by supplying (AHUs, FCU, Condensing units, package DX units, air outlets, air ducts, and air curtains ... etc.)

Also, by our extension through our major projects in Qatar, Oman.

And we will continue, with full commitment to providing customer focused and professional services.

Our Vision



Our vision is to become the top HVAC equipment fabrication company in the Middle East that positively impact society's lifestyle quality through our continuous innovation delivered by our skilled professional to make our customers delighted.



Our Mission



by providing Quality in every single material used by considering every customer as a priority by helping our market increase the return of building investment

Our Values



01

Customer delight:

we do it perfect, fast and save cost.

02

Priority:

we believe in saying no to thousands, to deliver unbelievable response to you.

03

Continuous improvement:

we always up to date on new trends, technologies & customer needs related to our industry

04

Competitive price:

we focus on selling value not to only profit, so our prices always fair.

05

Professionalism:

we proudly have the technical knowledge leaders through all our organization.

06

Integrity:

We expect to be always honest with ourselves first, then our employees and our customers.

DISC VALVE

EDV



INTRODUCTION

The **EDV** is exhaust valves (Disc valve) for

installation on ceiling or wall. It can also be used for supply air. The valve has a lockable central cone which is rotated to adjust the pressure and consequently the air volume. **EDV** is widely used in all types of air treatment installations, mainly wash rooms and bath rooms. The round shape of these terminal units allows them to be used in many other varieties of applications. They combine both attractive appearance and accurate control over exhaust air volumes.

GENERAL

The **EDV** exhaust valve is manufactured from sheet with a white powder-coated finish (RAL 9010)

and is available in the following diameters: $\varnothing 80$, $\varnothing 100$, $\varnothing 125$, $\varnothing 160$, and $\varnothing 200$

ADJUSTMENT

The adjustment pressure can be changed by turning the central disc. The air flow can be calculated using K - factors.

TECHNICAL DATA

Volume q (l/s and m³/h), total pressure P_e (Pa) and sound pressure level [dBA]. Is shown in the diagrams.

Sound attenuation, ΔL (dB)

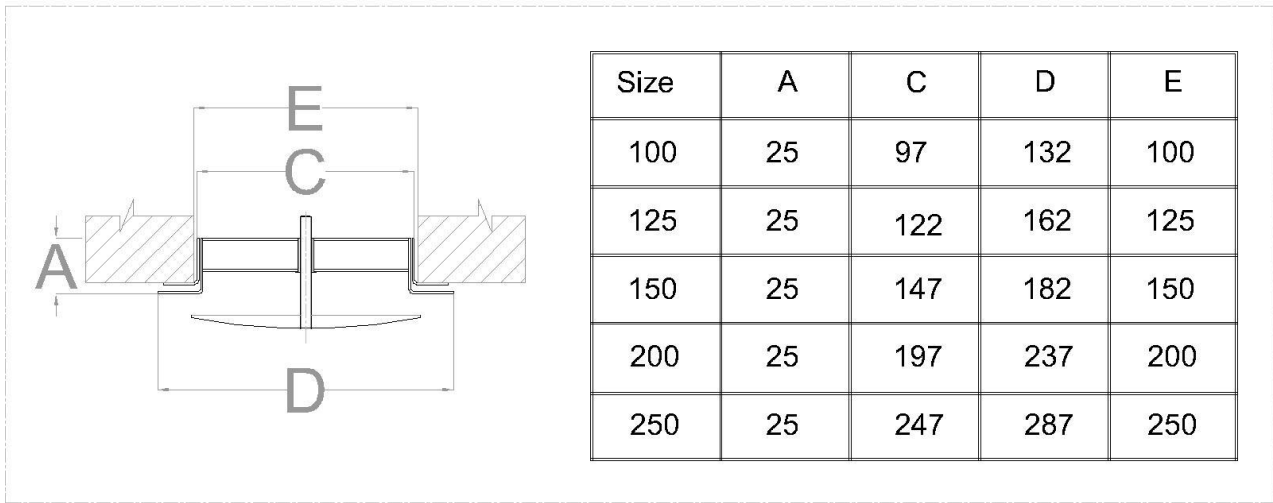
	Mid-frequency band, Hz						
	125	250	500	1K	2K	4K	8K
EDV-100	14	12	10	6	2	6	6
EDV-150	10	9	7	5	5	5	9
EDV-200	7	6	4	3	3	4	7
EDV-250	5	3	3	3	3	4	7

Sound power level, L_w

$$L_w \text{ (dB)} = L_{pA} + K_{ok} \quad (L_{pA} = \text{diagram} \quad K_{ok} = \text{table})$$

Correction factor K_{ok}

	Mid-frequency band, Hz							
	63	125	250	500	1K	2K	4K	8K
EDV-100	8	2	-3	-2	-2	-1	-8	-15
EDV-150	9	2	0	0	0	-3	-11	-19
EDV-200	7	1	-2	-1	1	-9	-17	-21
EDV-250	6	1	-1	0	2	-9	-19	-28
Tolerance	± 6	± 3	± 2	± 2	± 2	± 2	± 3	± 4





Head Office : 6th October, 1st Distract
Central St., Building No.85
TEI : 02-38376257 - **Fax :** 02-38377311
Mob : 01000749984
Factory : 6th October, Industrial Zone,
Zone 121
E-mail : expert@expert-mideast.com
Website: www.expert-mideast.com